

Id	1
Question Shows the special processing equipment.
A	Process Flow Sheet.
B	Mechanical Flow Sheet.
C	Instruments Flow Sheet.
D	None of the above.
Answer	
Marks	02
Unit	01

Id	2
Question	Process Flow Sheet shows the special..... equipment.
A	Processing
B	Mechanical.
C	Instruments.
D	None of the above
Answer	
Marks	2
Unit	1

Id	3
Question	State whether following statement is true or false Process Flow Sheet is used to show the special processing equipment.
A	True
B	False.
Answer	
Marks	02
Unit	1

Id	04
Question shows all major as well as minor equipment more clearly.
A	Process Flow Sheet.
B	Mechanical Flow Sheet.
C	Instruments Flow Sheet.
D	None of the above.
Answer	
Marks	02
Unit	01

Id	05
Question	Process Flow Sheet shows all major as well as minormore clearly.
A	Equipment.
B	Connections.
C	Instrument.
D	None of the above.
Answer	
Marks	02
Unit	01

Id	6
Question	State whether following statement is true or false Process Flow Sheet shows all major as well as minor connections more clearly.
A	True
B	False.
Answer	B
Marks	02
Unit	1

Id	07
Question	In Instrumentation Tag..... Letter is use to designate measured variable.
A	First.
B	Second.
C	Third.
D	None of the above.
Answer	
Marks	02
Unit	01

Id	08
Question	In Instrumentation Tag..... Letter is use to designate measured variable.
A	First.
B	Second.
C	Third.
D	None of the above.
Answer	
Marks	02
Unit	01

Id	9
Question	State whether following statement is true or false In Instrumentation Tag Second Letter is use to designate measured variable
A	True
B	False.
Answer	
Marks	02
Unit	1

Id	10
Question	In Instrumentation Tag..... Letter is use to designate function of component to modify meaning of first letter.
A	First.
B	Second.
C	Third.
D	Both Second & Third.
Answer	
Marks	02
Unit	01

Id	11
Question	In Instrumentation Tag Both Second & Third Letter is use to designate function of component to modify meaning ofletter.
A	First.
B	Second.
C	Third.
D	None of the above.
Answer	
Marks	02
Unit	01

Id	12
Question	State whether following statement is true or false In Instrumentation Tag Both Second & Third Letter is use to designate function of component to modify meaning of second letter.
A	True
B	False.
Answer	
Marks	02
Unit	1

Id	13
Question	In Instrumentation Tag is use to designate loop number.
A	Numbers at bottom.
B	Capital Letters.
C	Recording.
D	None of the above.
Answer	
Marks	02
Unit	01

Id	14
Question	In Instrumentation Tag numbers at bottom is used to designate.....
A	Piping number.
B	Equipment number.
C	Loop number.
D	None of the above.
Answer	
Marks	02
Unit	01

Id	15
Question	State whether following statement is true or false In Instrumentation Tag numbers at bottom is used to designate loop number.
A	True
B	False.
Answer	
Marks	02
Unit	1

Id	16
Question is an equipment used to transfer heat energy between two process flows.
A	Furnace.
B	Boiler.
C	Heat exchanger.
D	None of the above.
Answer	
Marks	02
Unit	01

Id	17
Question	Heat exchanger is an equipment used to transfer..... between two process flows.
A	Heat energy
B	Mechanical energy.
C	Electrical energy.
D	None of the above.
Answer	
Marks	02
Unit	01

Id	18
Question	State whether following statement is true or false Heat exchanger is an equipment used to transfer mechanical energy between two process flows.
A	True
B	False.
Answer	
Marks	02
Unit	1

Id	19
Question is a closed vessel in which water or other fluid is heated.
A	Boiler.
B	Furnace.
C	Heat exchanger.
D	None of the above.
Answer	
Marks	02
Unit	01

Id	20
Question	Boiler is a closed vessel in which water or other fluid is.....
A	Chilled.
B	Cooled.
C	Heated.
D	None of the above.
Answer	
Marks	02
Unit	01

Id	21
Question	Boiler is avessel in which water or other fluid is heated.
A	Closed.
B	Open.
C	Special.
D	None of the above.
Answer	
Marks	02
Unit	01

Id	22
Question	State whether following statement is true or false Boiler is a open vessel in which water or other fluid is heated.
A	True
B	False.
Answer	B
Marks	02
Unit	1

Id	23
Question transfer heat energy to the outside air through the principle of evaporation.
A	Cooler.
B	Furnace.
C	Cooling towers.
D	None of the above.
Answer	C
Marks	02
Unit	01

Id	24
Question	Cooling towers transferto the outside air through the principle of evaporation.
A	Heat energy
B	Mechanical energy.
C	Electrical energy.
D	None of the above.
Answer	
Marks	02
Unit	01

Id	25
Question	Cooling towers transfer heat energy to the..... air through the principle of evaporation.
A	Outside.
B	Inside.
C	Cooling.
D	None of the above.
Answer	
Marks	02
Unit	01

Id	26
Question	Cooling towers transfer heat energy to the outside air through the principle of.....
A	Heat transfer.
B	Evaporation.
C	Cooling.
D	None of the above.
Answer	
Marks	02
Unit	01

Id	27
Question	State whether following statement is true or false Cooling towers transfer heat energy to the outside gas through the principle of evaporation.
A	True
B	False.
Answer	
Marks	02
Unit	1

Id	28
Question is a device, container or room that cools air through the evaporation of water or keeps cool.
A	Furnace.
B	Cooler.
C	Cooling towers.
D	None of the above.
Answer	
Marks	02
Unit	01

Id	29
Question	Cooler is a device, container or room that..... air through the evaporation of water or keeps cool.
A	Chills.
B	Heats.
C	Cools.
D	None of the above.
Answer	
Marks	02
Unit	01

Id	30
Question	Cooler is a device, container or room that cools air through theof water or keeps cool.
A	Evaporation
B	Heat transfer.
C	Cooling.
D	None of the above.
Answer	
Marks	02
Unit	01

Id	31
Question	State whether following statement is true or false Cooler is a device, container or room that heats air through the evaporation of water or keeps cool.
A	True
B	False.
Answer	B
Marks	02
Unit	1

Id	32
Question is a device used to control the flow of liquids and gases.
A	Angle valve
B	Check valve.
C	Gate valve.
D	None of the above.
Answer	
Marks	02
Unit	01

Id	33
Question	Gate valve is a device used to control theof liquids and gases.
A	Flow.
B	Temperature.
C	Viscosity.
D	None of the above.
Answer	
Marks	02
Unit	01

Id	34
Question	State whether following statement is true or false Gate valve is a device used to control the flow of liquids and gases.
A	True
B	False.
Answer	
Marks	02
Unit	1

Id	35
Question also known as one-way valve, is to prevent the line of medium back.
A	Angle valve.
B	Check valve.
C	Gate valve.
D	None of the above.
Answer	
Marks	02
Unit	01

Id	36
Question	Check valve also known as one-way valve, is to prevent the line of medium.....
A	Back
B	Forward
C	Straight.
D	None of the above.
Answer	
Marks	02
Unit	01

Id	37
Question	State whether following statement is true or false Check valve also known as one-way valve, is to prevent the line of medium forward.
A	True
B	False.
Answer	
Marks	02
Unit	1

Id	38
Question is oriented at a 90 deg angle of gate valve.
A	Angle valve.
B	Check valve.
C	Gate valve.
D	None of the above.
Answer	
Marks	02
Unit	01

Id	39
Question	Angle valve is oriented at a 90 deg angle of.....
A	Angle valve
B	Check valve.
C	Gate valve.
D	None of the above.
Answer	
Marks	02
Unit	01

Id	40
Question	Angle valve is oriented at a deg angle of gate valve.
A	360
B	270.
C	90.
D	None of the above.
Answer	C
Marks	02
Unit	01

Id	41
Question	State whether following statement is true or false Angle valve is oriented at a 180 deg angle of gate valve.
A	True
B	False.
Answer	
Marks	02
Unit	1

Id	42
Question	Symbols used to identify how the instruments in the process connect to each other are called
A	Electrical line
B	Pneumatic line.
C	Data line.
D	Piping line.
Answer	
Marks	02
Unit	01

Id	43
Question	Symbols used to identify how the..... in the process connect to each other are called Piping line.
A	Instruments
B	Equipment's.
C	None of the above.
D	All of the above.
Answer	
Marks	02
Unit	01

Id	44
Question used to identify how the instruments in the process connect to each other are called Piping line.
A	Diagram
B	Symbols.
C	Figure.
D	None of the above.
Answer	
Marks	02
Unit	01

Id	45
Question	State whether following statement is true or false Symbols used to identify how the instruments in the process connect to each other are called ing line.
A	True
B	False.
Answer	
Marks	02
Unit	1

Id	46
Question helps to create the process flow between equipment's
A	Process connection.
B	Pneumatic connection.
C	Data connection.
D	Piping connection.
Answer	
Marks	02
Unit	01

Id	47
Question	Process connection helps to create the process..... between equipment's
A	Piping.
B	Connection.
C	Flow.
D	None of the above.
Answer	
Marks	02
Unit	01

Id	48
Question	State whether following statement is true or false Process connection helps to create the process flow between equipment's
A	True
B	False.
Answer	
Marks	02
Unit	1

Id	49
Question is a tube that transports fluid substances.
A	Pipe.
B	Conduit.
C	Cable.
D	All above.
Answer	
Marks	02
Unit	1

Id	50
Question	Pipe is a tube that transportssubstances.
A	Liquid.
B	Gas.
C	Fluid.
D	None of the above.
Answer	
Marks	02
Unit	1

Id	51
Question	State whether following statement is true or false Pipe is a tube that transports fluid substances.
A	True
B	False.
Answer	
Marks	02
Unit	1

Id	52
Question	A is a container that is used to store fluid.
A	Cylinder.
B	Tank.
C	Vessel.
D	All above.
Answer	
Marks	02
Unit	1

Id	53
Question	A Vessel is a container that is used to store.....
A	Liquid.
B	Gas.
C	Fluid.
D	All above.
Answer	
Marks	02
Unit	1

Id	54
Question	State whether following statement is true or false A Tank is a container that is used to store fluid.
A	True
B	False.
Answer	
Marks	02
Unit	1

Id	55
Question	A is a device that uses suction or pressure to raise, compress, or move fluids in and out of other objects.
A	Pump.
B	Motor.
C	Compressor.
D	Generator.
Answer	
Marks	02
Unit	1

Id	56
Question	A Pump is a device that uses suction or pressure to raise, compress, or movein and out of other objects.
A	Liquid.
B	Gas.
C	Fluids.
D	All above.
Answer	
Marks	02
Unit	1

Id	57
Question	A Pump is a device that uses suction or pressure to raise, compress, or move gas in and out of other objects.
A	True
B	False.
Answer	
Marks	02
Unit	1

Id	58
Questionis a unique Instrument number.
A	Equipment number.
B	Tag number.
C	Loop number.
D	Cable number.
Answer	
Marks	02
Unit	1

Id	59
Question	Tag number is a unique.....
A	Equipment number.
B	Instrument number.
C	Loop number.
D	Cable number.
Answer	
Marks	02
Unit	1

Id	60
Question	State whether following statement is true or false Tag number is a unique Instrument number.
A	True
B	False.
Answer	
Marks	02
Unit	1

Id	61
Question is a mechanical device that takes in a medium and compresses it to a smaller volume.
A	Motor.
B	Generator.
C	Cooler.
D	Compressor.
Answer	
Marks	02
Unit	1

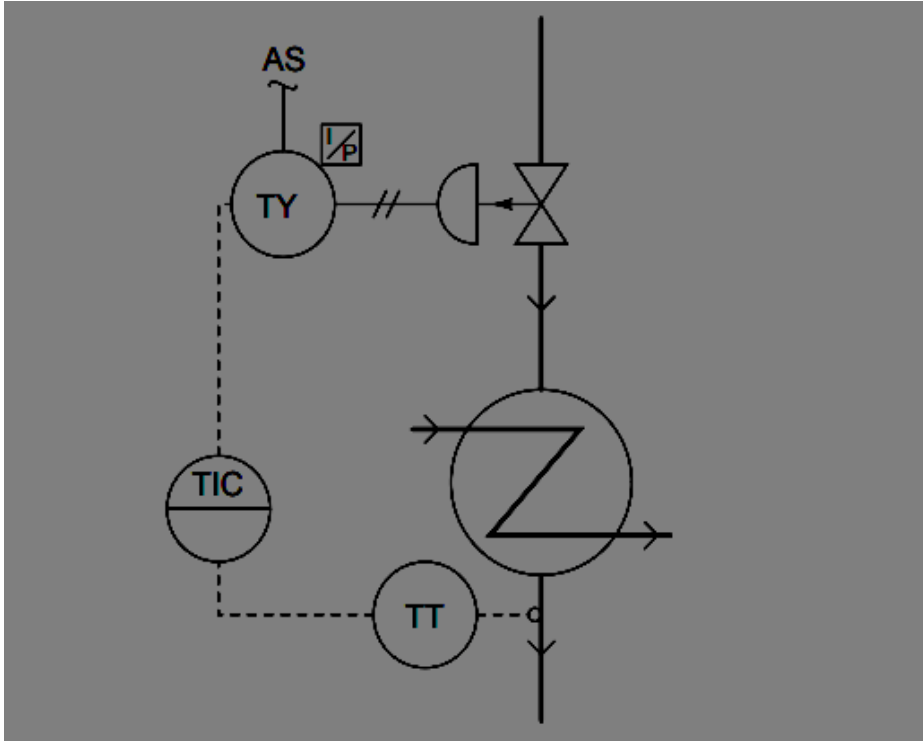
Id	62
Question	Compressor is adevice that takes in a medium and compresses it to a smaller volume.
A	Mechanical
B	Electrical.
C	Pneumatic.
D	None of the above.
Answer	
Marks	02
Unit	1


Id	63
Question	State whether following statement is true or false Compressor is a hydraulic device that takes in a medium and compresses it to a smaller volume.
A	True
B	False.
Answer	
Marks	02
Unit	1

Id	64
Question is a container that is used to blend several components together.
A	Mixer.
B	Blender.
C	Distillation column.
D	Mixing vessel.
Answer	
Marks	02
Unit	1

Id	65
Question	Mixing vessel is a container that is used toseveral components together.
A	Mix.
B	Blend.
C	Compress.
D	None of the above.
Answer	
Marks	02
Unit	1

Id	66
Question	State whether following statement is true or false Mixing vessel is a container that is used to blend several components together.
A	True
B	False.
Answer	
Marks	02
Unit	1

Id	67
Question	<p>According to this diagram, the controller is, and it is located:</p>  <p>The diagram illustrates a control loop for a reactor vessel. A Temperature Indicating Controller (TIC) is connected via a dashed line to a Temperature Transmitter (TT) located in the field. The TT's output is sent to a Transmitter/Receiver (TY) actuator, also in the field. The TY actuator is connected to a control valve. The valve's output goes to a reactor vessel, which has an outlet. The vessel is also equipped with a Temperature Transmitter (TT) for monitoring.</p>
A	Pneumatic, in the field (process) area
B	Pneumatic, on the front of a secondary control panel
C	Pneumatic, on the front of the main control panel
D	Electronic, on the front of the main control panel
Answer	
Marks	02
Unit	1

Id	68
Question	Identify the following instrumentation (P&ID and loop diagram) line types, from left to right: 
A	pneumatic, electric, capillary, hydraulic
B	electric, pneumatic, digital network, filled system
C	pneumatic, electric, hydraulic, mechanical link
D	electric (on/off), electric (analog), pneumatic, digital network
Answer	
Marks	02
Unit	1

Id	69
Question	P&ID stands for?
A	Process & Information diagram
B	Process & Instrumentation diagram
C	Piping & Information drawings
D	Piping & Instrumentation diagram
Answer	
Marks	02
Unit	1

Id	70
Question	State whether following statement is true or false P&ID stands for Process & Instrumentation diagram.
A	True
B	False.
Answer	
Marks	02
Unit	1

Id	71
Question is a summary of all instruments required for the job, listing each number identified items of each loop.
A	Instruments Specifications sheet.
B	Instruments Index sheet.
C	Process Flow Sheet.
D	Mechanical Flow Sheet.
Answer	
Marks	02
Unit	2

Id	72
Question	Instruments Index sheet is a summary of all..... required for the job, listing each number identified items of each loop.
A	Instruments.
B	Equipment's.
C	Process.
D	None of the above.
Answer	
Marks	02
Unit	2

Id	73
Question	State whether following statement is true or false Instruments Index sheet is a summary of all Processes required for the job, listing each number identified items of each loop.
A	True
B	False.
Answer	
Marks	02
Unit	2

Id	74
Question contains the information relating to the process and/or other instruments which is necessary for complete system engineering.
A	Instruments Specifications sheet.
B	Instruments Index sheet.
C	Process Flow Sheet.
D	None of the above.
Answer	
Marks	02
Unit	2

Id	75
Question	Process Flow Sheet contains the information relating to the process and/or other instruments which isfor complete system engineering.
A	necessary.
B	optional.
C	not necessary.
D	None of the above.
Answer	
Marks	02
Unit	2

Id	76
Question	Process Flow Sheet containsthe relating to the process and/or other instruments which is necessary for complete system engineering.
A	Information.
B	Documents.
C	Drawings.
D	None of the above.
Answer	
Marks	02
Unit	2

Id	77
Question	State whether following statement is true or false Process Flow Sheet contains the information relating to the process and/or other instruments which is necessary for complete system engineering.
A	True
B	False.
Answer	
Marks	02
Unit	2

Id	78
Question Diagram are required for both electrical as well as pneumatic circuit.
A	Schematic Control.
B	Dual Control.
C	Control system.
D	All of the above.
Answer	
Marks	02
Unit	2

Id	79
Question	Schematic Control..... are required for both electrical as well as pneumatic circuit.
A	Documents.
B	Diagram.
C	Drawings.
D	None of the above.
Answer	
Marks	02
Unit	2

Id	80
Question	State whether following statement is true or false Schematic Control Documents are required for both electrical as well as pneumatic circuit.
A	True
B	False.
Answer	
Marks	02
Unit	2

Id	81
Question are electrical schematic drawing which are prepared for electronic loop.
A	Mechanical loop wiring diagram.
B	Electronic loop wiring diagram.
C	Pneumatic loop wiring diagram.
D	None of the above.
Answer	
Marks	02
Unit	2

Id	82
Question	Electronic loop wiring diagram are electrical schematic drawing which are prepared for.....
A	Electronic loop.
B	Mechanical loop.
C	Pneumatic loop.
D	None of the above.
Answer	
Marks	02
Unit	2

Id	83
Question	State whether following statement is true or false Electronic loop wiring diagram are electrical schematic drawing which are prepared for Pneu- matic loop.
A	True
B	False.
Answer	
Marks	02
Unit	2

Id	84
Question	The primary requirements for understanding is ability of..... to read and interpret drawing.
A	Engineer.
B	Craftsman.
C	Technician.
D	Controller.
Answer	
Marks	02
Unit	2

Id	85
Question	The primary requirements for understanding is ability of craftsman to read and interpret.....
A	Document.
B	Diagram.
C	Drawing.
D	None of the above.
Answer	
Marks	02
Unit	2

Id	86
Question	State whether following statement is true or false The primary requirements for understanding is ability of craftsman to read and interpret drawing.
A	True
B	False.
Answer	
Marks	02
Unit	2

Id	87
Question	Ais a streamlined drawing illustrating the machinery used in a process along with its interconnections (piping rows) with the tools and control systems that indicate the system's process flow.
A	Mechanical loop
B	P&ID
C	Electrical loop
D	Process flow
Answer	
Marks	02
Unit	2

Id	88
Question	A P&ID is a streamlinedillustrating the machinery used in a process along with its interconnections (piping rows) with the tools and control systems that indicate the system's process flow.
A	Document.
B	Diagram.
C	Drawing.
D	None of the above.
Answer	
Marks	02
Unit	2

Id	89
Question	A P&ID is a streamlined drawing illustrating the machinery used in aalong with its interconnections (piping rows) with the tools and control systems that indicate the system's process flow.
A	Process.
B	Plant.
C	Industry.
D	None of the above.
Answer	
Marks	02
Unit	2

Id	90
Question	State whether following statement is true or false A P&ID is a streamlined drawing illustrating the machinery used in a process along with its interconnections (piping rows) with the tools and control systems that indicate the system's process flow.
A	True
B	False.
Answer	
Marks	02
Unit	2

Id	91
Question sketch offers a comprehensive overview of the device set up in the right manner, from the point of touching in the process row to the detecting tool.
A	Mechanical.
B	Hook-up.
C	Pneumatic.
D	None of the above.
Answer	
Marks	02
Unit	2

Id	92
Question	Hook-upoffers a comprehensive overview of the device set up in the right manner, from the point of touching in the process row to the detecting tool.
A	Document.
B	Diagram.
C	Sketch.
D	None of the above.
Answer	
Marks	02
Unit	2

Id	93
Question	State whether following statement is true or false Hook-up document offers a comprehensive overview of the device set up in the right manner, from the point of touching in the process row to the detecting tool.
A	True
B	False.
Answer	
Marks	02
Unit	2

Id	94
Question	ANSI stands for
A	Asian National Standards Institute.
B	American National Society for Instrumentation.
C	American National Standards Institute.
D	None of the above.
Answer	
Marks	02
Unit	2

Id	95
Question	Full form of ANSI is
A	Asian National Standards Institute.
B	American National Society for Instrumentation.
C	American National Standards Institute.
D	None of the above.
Answer	
Marks	02
Unit	2

Id	96
Question	State whether following statement is true or false ANSI stands for Asian National Standards Institute
A	True
B	False.
Answer	
Marks	02
Unit	2

Id	97
Question	State whether following statement is true or false ANSI stands for American National Standards Institute
A	True
B	False.
Answer	
Marks	02
Unit	2

Id	98
Question	ISA stands for
A	Instrument Society of Asia.
B	Instrument Society of America.
C	International Society of Automation.
D	None of the above.
Answer	
Marks	02
Unit	2

Id	99
Question	Full form of ISA is
A	Instrument Society of Asia.
B	Instrument Society of America.
C	International Society of Automation.
D	None of the above.
Answer	
Marks	02
Unit	2

Id	100
Question	State whether following statement is true or false ISA stands for Instrument Society of America.
A	True
B	False.
Answer	
Marks	02
Unit	2

Id	101
Question	State whether following statement is true or false Full form of ISA is Instrument Society of America.
A	True
B	False.
Answer	
Marks	02
Unit	2

Id	102
Question	ISA has developed standard forms for categories of instrument items.
A	37
B	67
C	27
D	None of the above.
Answer	
Marks	02
Unit	2

Id	103
Question	State whether following statement is true or false ISA has developed standard forms for 67 categories of instrument items.
A	True
B	False.
Answer	
Marks	02
Unit	2

Id	104
Question	ISA has developed standard forms ofitems.
A	Instrument.
B	Equipment's.
C	Process.
D	None of the above.
Answer	
Marks	02
Unit	2

Id	105
Question	State whether following statement is true or false ISA has developed standard forms of Instrument items
A	True
B	False.
Answer	
Marks	02
Unit	2

Id	106
Question provides the guidelines for the design, construction, assembly, testing, and shipping of control panels and cabinets.
A	The control panel document.
B	The electrical wiring document.
C	The electronic wiring document.
D	All of the above.
Answer	
Marks	02
Unit	2

Id	107
Question	State whether following statement is true or false The electrical wiring document provides the guidelines for the design, construction, assembly, testing, and shipping of control panels and cabinets.
A	True
B	False.
Answer	
Marks	02
Unit	2

Id	108
Questioninclude all instrument items that interconnect with other instruments.
A	The control panel plan.
B	Instrument location plan.
C	The location plan.
D	None of the above.
Answer	
Marks	02
Unit	2

Id	109
Question	Instrument location plan include all instrument items that interconnect with other.....
A	Instruments.
B	Equipment's.
C	Process.
D	None of the above.
Answer	
Marks	02
Unit	2

Id	110
Question	State whether following statement is true or false Instrument location plan include all instrument items that interconnect with other instruments.
A	True
B	False.
Answer	
Marks	02
Unit	2

Id	111
Question installation involves two different crafts pipe fitters and electricians.
A	The control panel.
B	Equipment.
C	Instrument.
D	All of the above.
Answer	
Marks	02
Unit	2

Id	112
Question	Instrument installation involvesdifferent crafts pipe fitters and electricians.
A	2.
B	4.
C	6.
D	8.
Answer	
Marks	02
Unit	2

Id	113
Question	State whether following statement is true or false Instrument installation involves six different crafts pipe fitters and electricians.
A	True
B	False.
Answer	
Marks	02
Unit	2

Id	114
Question	The location of all should be shown on the instrument plans.
A	The control panel.
B	Instrument junction boxes.
C	Equipment.
D	All of the above.
Answer	
Marks	02
Unit	2

Id	115
Question	The location of all Instrument junction boxes should be shown on theplans.
A	The control panel.
B	Equipment.
C	Instrument.
D	All of the above.
Answer	
Marks	02
Unit	2

Id	116
Question	State whether following statement is true or false The location of all Instrument junction boxes should be shown on the instrument plans.
A	True
B	False.
Answer	
Marks	02
Unit	2

Id	117
Question shows field device installation details including wiring and the junction box (if one is used) that connects the field device to the control system.
A	The control panel.
B	Junction boxes.
C	Loop Diagram.
D	All of the above.
Answer	
Marks	02
Unit	2

Id	118
Question	Loop Diagram shows field device installation details including wiring and the junction box (if one is used) that connects the field device to the.....
A	control system.
B	Junction boxes.
C	control panel.
D	All of the above.
Answer	
Marks	02
Unit	2

Id	119
Question	State whether following statement is true or false Loop Diagram shows field device installation details including wiring and the junction box (if one is used) that connects the field device to the control panel.
A	True
B	False.
Answer	
Marks	02
Unit	2

Id	120
Question	There arediagram and documents used by instrumentation engineers.
A	Instruments Specifications sheet.
B	Instruments Index sheet.
C	Process Flow Sheet.
D	All of the above.
Answer	
Marks	02
Unit	2

Id	121
Question	A typicalspecification is divided into sections covering design, construction, testing, and shipping.
A	The control panel.
B	The electrical wiring.
C	The electronic wiring.
D	All of the above.
Answer	
Marks	02
Unit	2

Id	122
Question	A typical the control panelis divided into sections covering design, construction, testing, and shipping.
A	diagram.
B	sheet.
C	specification.
D	All of the above.
Answer	
Marks	02
Unit	2

Id	123
Question	State whether following statement is true or false A typical the control panel specification is divided into sections covering design, construction, testing, and shipping.
A	True
B	False.
Answer	
Marks	02
Unit	2

Id	124
Question	The device engineer/technician is required in the interconnections of individual tools at the smallest stage, including all wire numbers, terminal numbers, cable kinds, calibration ranges of tools, etc
A	Process flow diagram.
B	Loop diagram.
C	Piping & Instrumentation Diagram.
D	None of the above.
Answer	
Marks	02
Unit	2

Id	125
Question	The deviceis required loop diagram in the interconnections of individual tools at the smallest stage, including all wire numbers, terminal numbers, cable kinds, calibration ranges of tools, etc
A	Engineer/technician.
B	Craftsman.
C	Technician.
D	Controller.
Answer	
Marks	02
Unit	2

Id	126
Question	State whether following statement is true or false The device engineer/technician is required loop diagram in the interconnections of individual tools at the smallest stage, including all wire numbers, terminal numbers, cable kinds, calibration ranges of tools, etc
A	True
B	False.
Answer	
Marks	02
Unit	2

Id	127
Question	A..... is more technical, describing mechanical details for piping designers, electrical engineers, instrument engineers and other technical experts who need this detail more than they need process details
A	Mechanical loop
B	P&ID
C	Electrical loop
D	Process flow
Answer	
Marks	02
Unit	2

Id	128
Question	State whether following statement is true or false A Process flow is more technical, describing mechanical details for piping designers, electrical engineers, instrument engineers and other technical experts who need this detail more than they need process details
A	True
B	False.
Answer	
Marks	02
Unit	2

Id	129
Question	A typical document also should address certain details, such as nameplates, electrical and pneumatic requirements, and purging requirements, if necessary.
A	The control panel.
B	The electrical wiring.
C	The electronic wiring.
D	All of the above.
Answer	
Marks	02
Unit	2

Id	130
Question	A typical the control panelalso should address certain details, such as nameplates, electrical and pneumatic requirements, and purging requirements, if necessary.
A	diagram.
B	sheet.
C	document
D	All of the above.
Answer	
Marks	02
Unit	2

Id	131
Question are set up to assure good communication among all involved parties.
A	Project Management.
B	Project Completion.
C	Project Procedure.
D	None of the above.
Answer	
Marks	02
Unit	3

Id	132
Question	The schedules of the job is determined by the.....
A	Engineer.
B	Craftsman.
C	Technician.
D	Project Manager.
Answer	
Marks	02
Unit	3

Id	133
Question	Theof the job is determined by the Project Manager.
A	Schedules.
B	Planning.
C	Design.
D	None of above.
Answer	
Marks	02
Unit	3

Id	134
Question	State whether following statement is true or false The schedules of the job is determined by the Project Engineer.
A	True
B	False.
Answer	
Marks	02
Unit	3

Id	135
Question among departments responsible for various phases of engineering is necessary for an efficient, well run job.
A	Ruling.
B	Disputes.
C	Coordination.
D	All of the above.
Answer	
Marks	02
Unit	3

Id	136
Question of Instruments purchased must be checked thoroughly to determine that they are comply with purchased order.
A	Sketch.
B	Accuracy.
C	Vendor Drawing.
D	Reliable.
Answer	
Marks	02
Unit	3

Id	137
Question	Vendor Drawing of Instruments purchased must be checked thoroughly to determine that they are comply with.....
A	Bid document.
B	Planning document.
C	Purchased order.
D	All of above.
Answer	
Marks	02
Unit	3

Id	138
Question	State whether following statement is true or false Vendor Drawing of Instruments purchased must be checked thoroughly to determine that they are comply with purchased order.
A	True
B	False.
Answer	
Marks	02
Unit	3

Id	139
Question	Man power allocation is done by.
A	Engineer.
B	Craftsman.
C	Technician.
D	Project Manager.
Answer	
Marks	02
Unit	3

Id	140
Question allocation is done by Project Manager.
A	Time.
B	Craftsman.
C	Man power.
D	None of above.
Answer	
Marks	02
Unit	3

Id	141
Question	State whether following statement is true or false Man power allocation is done by Project Engineer.
A	True
B	False.
Answer	
Marks	02
Unit	3

Id	142
Questionincludes all parts of the design of manufacturing or processing facilities, either new or modifications to and expansions of existing facilities.
A	Project engineering.
B	Instrumentation engineering.
C	Design engineering.
D	None of above.
Answer	
Marks	02
Unit	3

Id	143
Questionconsists of a coordinated series of activities or tasks performed by engineers, designers, drafters and others from one or more engineering disciplines or departments.
A	Team.
B	Group.
C	Project.
D	None of above.
Answer	
Marks	02
Unit	3

Id	144
Question	A small project may be under the direction of a
A	Team manager.
B	Project engineer.
C	Project manager.
D	None of above.
Answer	
Marks	02
Unit	3

Id	145
Question	Amay be under the direction of a Project engineer.
A	small project.
B	big project.
C	Project design.
D	None of above.
Answer	
Marks	02
Unit	3

Id	146
Question	State whether following statement is true or false A big project may be under the direction of a Project engineer.
A	True
B	False.
Answer	
Marks	02
Unit	3

Id	147
Question	At the beginning of the project the responsible Instrument engineer determine from the.....the dates for various phases of the project.
A	Activity schedule.
B	Planning schedule.
C	Project schedule.
D	None of above.
Answer	
Marks	02
Unit	3

Id	148
Questionwill contain a description of the products or services that are to be procured
A	Bid document.
B	Planning document.
C	Purchase document.
D	All of above.
Answer	
Marks	02
Unit	3

Id	149
Questionare set up to assure good communication among all involved parties.
A	Schedule procedure.
B	Planning procedure.
C	Project procedure.
D	None of above.
Answer	
Marks	02
Unit	3

Id	150
Questionare set up to assure good communication among all involved parties.
A	Schedule procedure.
B	Planning procedure.
C	Project procedure.
D	None of above.
Answer	
Marks	02
Unit	3

Id	151
Questionis the term applied to an organised method for getting a job done.
A	Project procedure.
B	Planning procedure.
C	Schedule procedure.
D	None of above.
Answer	
Marks	02
Unit	3

Id	152
Questionis responsible for determining that the Project procedures are followed.
A	Project engineer.
B	Purchase manager.
C	Project manager.
D	None of above.
Answer	
Marks	02
Unit	3

Id	153
Question	Periodic usually on a monthly basis are made to the Project manager.
A	Progress report.
B	Quarterly report.
C	Appraisal report.
D	None of above.
Answer	
Marks	02
Unit	3

Id	154
Question	A well-conceived, well-managedis one that has been given a chance to succeed, supposing that the execution team is capable.
A	Team.
B	Group.
C	Project.
D	None of above.
Answer	
Marks	02
Unit	3

Id	155
Question	Theof the job is determined by the Project Manager.
A	Schedule.
B	Planning
C	Activity.
D	None of above.
Answer	
Marks	02
Unit	3

Id	156
Question	Vendor Drawing of Instruments purchased must be checked thoroughly to determine that they are comply with
A	Sketch.
B	Accuracy.
C	Purchased order.
D	Reliable.
Answer	
Marks	02
Unit	3

Id	157
Question	Project manager is responsible for determining that theare followed.
A	Project procedures.
B	Purchase procedure.
C	Planning procedure.
D	None of above.
Answer	
Marks	02
Unit	3

Id	158
Question is responsible for determining that the Project procedures are followed.
A	Project engineer.
B	Purchase manager.
C	Project manager.
D	None of above.
Answer	
Marks	02
Unit	3

Id	159
Question	State whether following statement is true or false Purchase manager is responsible for determining that the Project procedures are followed.
A	True
B	False.
Answer	
Marks	02
Unit	3

Id	160
Questionprogress report usually on a monthly basis are made to the Project manager.
A	Periodic.
B	Quarterly report.
C	Appraisal report.
D	None of above.
Answer	
Marks	02
Unit	3