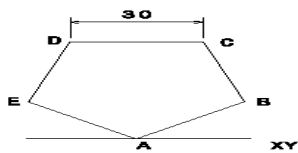
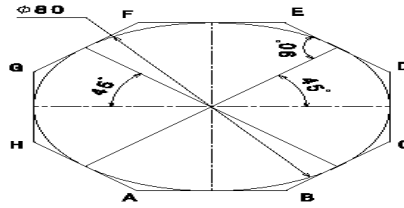


DR. BABASAHEB AMBEDKAR TECHNOLOGICAL UNIVERSITY,
LONERE - RAIGAD -402 103
Mid Semester Examination - October - 2017

Solutions & Marking scheme for Engineering Graphics (ME104) Mid Sem 2017 (Semester 1)



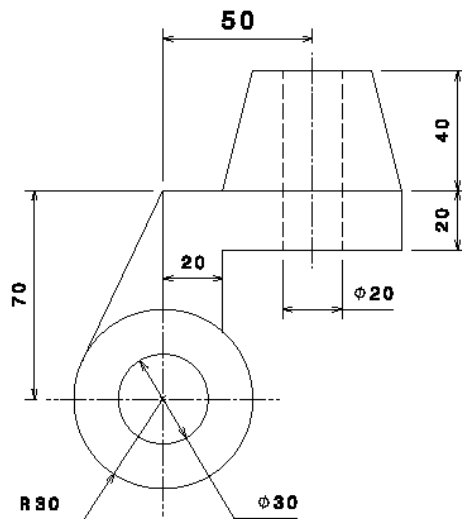
Q1



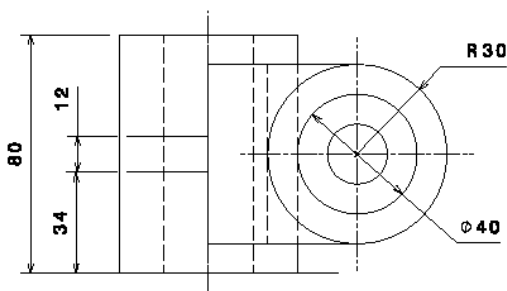
Q2

Marks Q1 & Q 2 each 4 - Neat drawing 1 - Dimension & Naming

Q



Front view



Top view

3

Marking Scheme

Front View 3 Marks

Top View 4 Marks

Dimensions 2 Marks

Line work 1 Mark